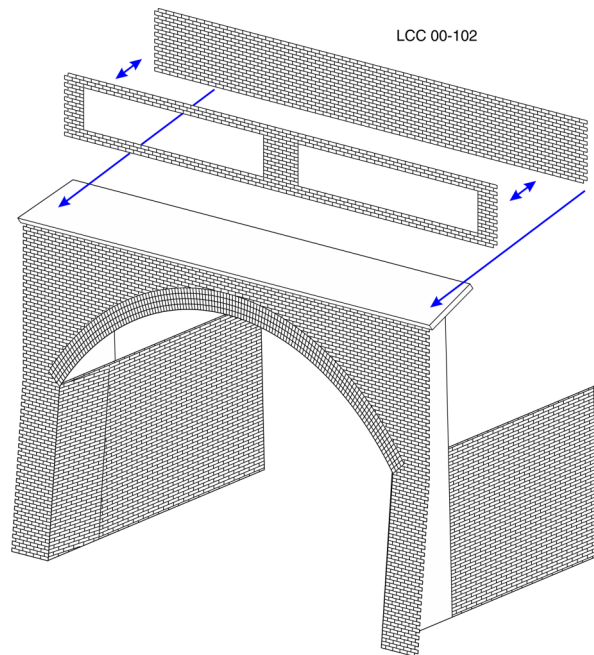


5



- Glue not engraved part from LCC 00-102 to the top of the assembly flush with the back of LCC 00-98.
- If desired glue the deck further back or forward.
- Glue the remaining LCC 00-102 pieces together and then glue them to the deck parallel with LCC 00-101.
- To achieve best result glue all of the full LCC 00-102 elements together and then glue the hollow element on top. Finally glue the whole strip to the top of all assembled retaining walls.

LCC Modelling System

B 00-27—retaining wall tunnel portal

All drawings are not in scale.

LCC Modelling System is flexible and you can make easy modification. Please visit our website at www.lcut.co.uk to shop for additional LCC elements.

! We recommend PVA or any other paper/wood glue.

B 00-26 contains:

- 2x LCC 00-98
- 1x LCC 00-101
- 1x LCC 00-102
- 1x LCC 00-103
- 1x LCC 00-104A
- 1x LCC 00-104B
- 1x LCC 00-105

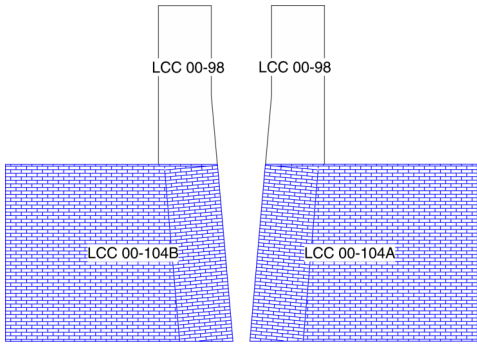
! Before assembly of individual units it is recommended to glue all of the face panels (LCC 00-94, LCC 00-100, and LCC 00-101) together first. If working on long stretch of retaining wall glue 3-4 panel faces together to make it easier to assemble later. It is possible to assemble all units separately and then later join them but this approach may create gaps between units.

To glue panel faces together apply glue in between the interlocking bricks and the press gently together. Leave overnight to dry if possible. This will ensure minimal gaps between panels. After glue had time to dry follow the instructions in this manual to assemble the units.

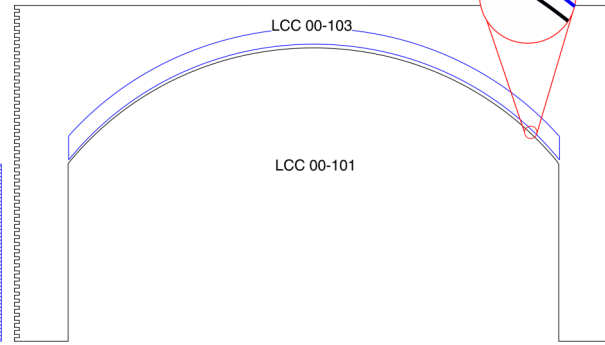
Painting recommendation:

We recommend using acrylic paints. There is no need to undercoat the surface but it can be done if desired. The material used is porous relatively forgiving, heavy coats are unlikely to flood the brickwork.

1

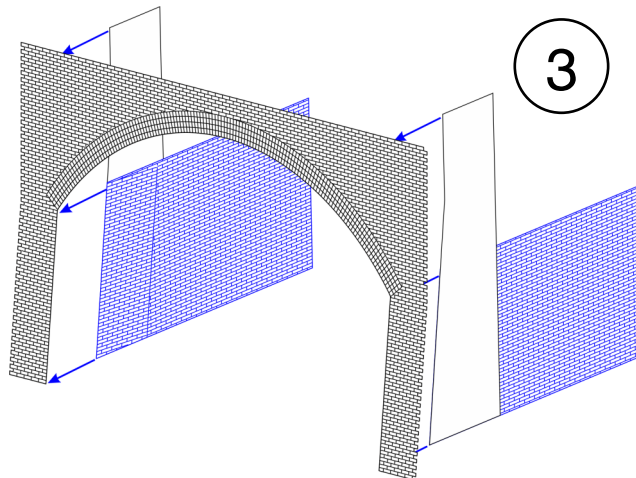


2



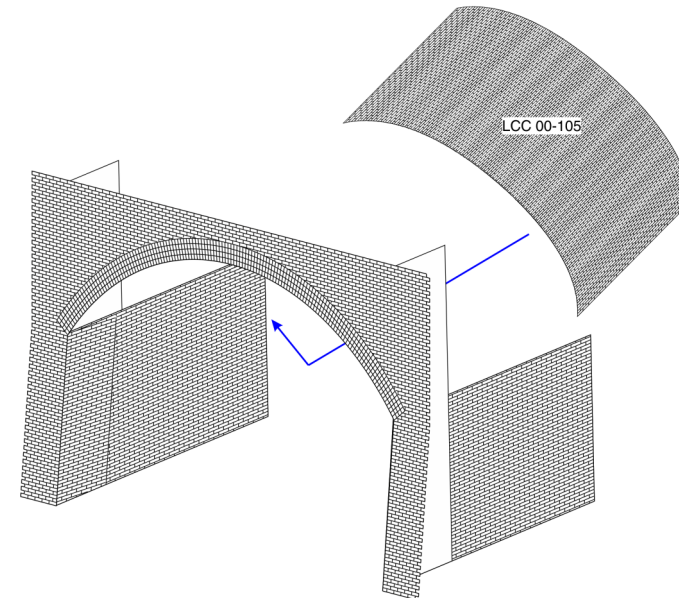
- Glue LCC 00-104 A and B to LCC 00-98.
- Use picture 1 for placement reference
- Glue LCC 00-103 to the back of LCC 00-101 slightly above the arch line (about 1mm).

3



- Glue assembled LCC 00-98 to the back of LCC 00-101.
- Ensure that LCC 00-98 is flush with the bottom of the face panel as well as the inner sides of the face panel.
- The bend in LCC 00-98 when glued will shape LCC 00-101 to have about 5% back lean.

4



- Pre bend LCC 00-105 and insert into the archway. Ensure there is no gaps between the brickwork by gently pushing it in with pointy object (e.g. back of a hobby knife).